

## Specifications & Consumer information

<b>Dimensions</b> .....	<b>8-2</b>
<b>Engine</b> .....	<b>8-2</b>
<b>Bulb wattage</b> .....	<b>8-3</b>
<b>Tires and wheels</b> .....	<b>8-4</b>
<b>Gross vehicle weight</b> .....	<b>8-5</b>
<b>Luggage volume</b> .....	<b>8-5</b>
<b>Recommended lubricants and capacities</b> .....	<b>8-6</b>
<b>Recommended sae viscosity number</b> .....	<b>8-8</b>
<b>Vehicle identification number (VIN)</b> .....	<b>8-9</b>
<b>Vehicle certification label</b> .....	<b>8-9</b>
<b>Tire specification and pressure label</b> .....	<b>8-10</b>
<b>Engine number</b> .....	<b>8-10</b>
<b>Refrigerant label</b> .....	<b>8-10</b>

## DIMENSIONS

Item	mm (in)	
Overall length	4,690 (184.64)	
Overall width	1,880 (74.01)	
Overall height	1,680 (66.14)/1,690 (66.53) *1	
Front tread	P235/65R17	1,633 (64.29)
	235/55R19	1,628 (64.09)
Rear tread	P235/65R17	1,644 (67.72)
	235/55R19	1,639 (64.52)
Wheelbase	2,700 (106.29)	

\*1 with roof rack

## ENGINE

Item	Gasoline Theta II 2.0	Gasoline Theta II 2.4
Displacement cc (cu. in)	1,998 (121.92)	2,359 (143.95)
Bore x Stroke mm (in.)	86x86 (3.38X3.38)	88x97 (3.46X3.81)
Firing order	1-3-4-2	1-3-4-2
No. of cylinders	4. In-line	4. In-line





**BULB WATTAGE**

<b>Lamp Bulb</b>		<b>Wattage</b>	<b>Bulb type</b>
Front	Headlamp (Low)	55 or 35 (HID)*	H7L or D3S
	Headlamp (High)	55	H7L
	Front turn signal lamp	28	PY28W
	Front position lamp	5 or LED*	W5W or LED
	Front fog lamp*	35	H8
	Front turn signal lamp (Outside mirror)*	LED*	LED
	Front marker lamp	5	W5W
Rear	Rear Stop/Tail lamp (Outside)	28 or 8, LED*	P28 or W8W. LED
	Tail lamp (Inside)	8, LED*	W8W, LED
	Rear turn signal lamp	27	PY27W
	Back-up lamp	16	W16W
	Rear marker lamp	LED*	LED
	High mounted stop lamp*	LED*	LED
	License plate lamp	5	W5W
Interior	Map lamp	10	FESTOON
	Room lamp	8	FESTOON
	Vanity mirror lamp	5	FESTOON
	Glove box lamp	5	FESTOON
	Luggage lamp	5	FESTOON

\* If equipped

\* HID : High Intensity Discharge

## TIRES AND WHEELS

Item	Tire size	Wheel size	Inflation pressure [kPa (psi)]				Wheel lug nut torque kg•m (lb•ft, N•m)
			Normal load (  +  )		Maximum load (  +  )		
			Front	Rear	Front	Rear	
Full size tire	P235/65R17	7.0J×17	230	230	230	230	9~11 (65~79, 88~107)
	235/55R19	7.5J×19	(33)	(33)	(33)	(33)	
Compact spare tire (if equipped)	T165/90D17	4.0T×17	420	420	420	420	

 **CAUTION**

*When replacing tires, use the same size originally supplied with the vehicle.  
Using tires of a different size can damage the related parts or make it work irregularly.*

## GROSS VEHICLE WEIGHT

Item	Gasoline Theta II 2.0 T-GDI		Gasoline Theta II 2.4 GDI	
	2WD	AWD	2WD	AWD
Automatic transaxle	2,250 kg (4,960 lbs.)	2,351 kg (5,181 lbs.)	2,200 kg (4,850 lbs.)	2,300 kg (5,071 lbs.)


## LUGGAGE VOLUME

Item	5 Seater	
SAE	1 Seat	2,025 / (71.5 cu f)
	2 Seat	1,003 / (35.4 cu f)

## RECOMMENDED LUBRICANTS AND CAPACITIES

To help achieve proper engine and powertrain performance and durability, use only lubricants of the proper quality. The correct lubricants also help promote engine efficiency that results in improved fuel economy.

These lubricants and fluids are recommended for use in your vehicle.

Lubricant		Volume	Classification	
Engine oil *1 *2 (drain and refill) Recommends 	Gasoline Engine	Theta II 2.0 T-GDI	4.6 l (4.86 US qt.)	API Service SM *3, ILSAC GF-4 or above ACEA A5 (or above)
		Theta II 2.4 GDI		
Automatic transaxle fluid	Gasoline Engine	Theta II 2.0	7.8 l (8.24 US qt.)	MICHANG ATF SP-IV, SK ATF SP-IV, NOCA ATF SP-IV, HYUNDAI genuine ATF SP-IV
		Theta II 2.4	7.1 l (7.50 US qt.)	
Coolant	Gasoline Engine	Theta II 2.0	9.7 l (10.24 US qt.)	Mixture of antifreeze and distilled water (Ethylene glycol base coolant for aluminum radiator)
		Theta II 2.4	7.1 ~7.4 l (7.50 ~ 7.51 US qt.)	
Brake/clutch fluid		0.7~0.8 l (0.74~0.85 US qt.)	FMVSS116 DOT-3 or DOT-4	

Lubricant		Volume	Classification
Rear differential oil (AWD)		0.53 l (0.56 US qt.)	HYPOID GEAR OIL API GL-5, SAE 75W/90 (SHELL SPIRAX X or equivalent)
Transfer case oil (AWD)	Theta II 2.0 / 2.4	0.6 l (0.63US qt.)	HYPOID GEAR OIL API GL-5, SAE 75W/90 (SHELL SPIRAX X or equivalent)
Fuel		66 l (17.43 US gal.)	Refer to “Fuel requirements” in section 1

\*1 Refer to the recommended SAE viscosity numbers on the next page.

\*2 Engine oils labeled Energy Conserving Oil are now available. Along with other additional benefits, they contribute to fuel economy by reducing the amount of fuel necessary to overcome engine friction. Often, these improvements are difficult to measure in everyday driving, but in a year’s time, they can offer significant cost and energy savings.

\*3 If the API service SM or ACEA A5 engine oil is not available in your country, you are able to use API service SL.

## Recommended SAE viscosity number

### CAUTION

*Always be sure to clean the area around any filler plug, drain plug, or dipstick before checking or draining any lubricant. This is especially important in dusty or sandy areas and when the vehicle is used on unpaved roads. Cleaning the plug and dipstick areas will prevent dirt and grit from entering the engine and other mechanisms that could be damaged.*

Engine oil viscosity (thickness) has an effect on fuel economy and cold weather operating (engine start and engine oil flowability). Lower viscosity engine oils can provide better fuel economy and cold weather performance, however, higher viscosity engine oils are required for satisfactory lubrication in hot weather. Using oils of any viscosity other than those recommended could result in engine damage.

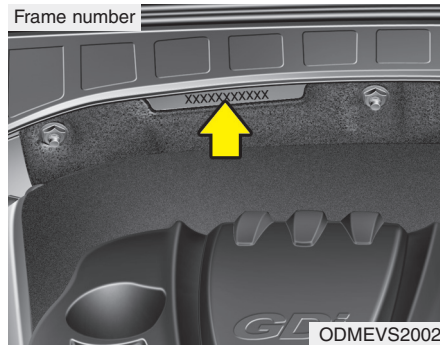
When choosing an oil, consider the range of temperature your vehicle will be operated in before the next oil change. Proceed to select the recommended oil viscosity from the chart.

Temperature Range for SAE Viscosity Numbers										
Temperature	°C	-30	-20	-10	0	10	20	30	40	50
	(°F)	-10	0	20	40	60	80	100	120	
Gasoline Engine Oil *1		10W-30								
		5W-30								

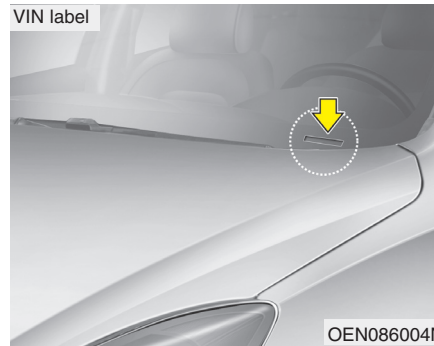
\*1 : For better fuel economy, it is recommended to use the engine oil of a viscosity grade SAE 5W-30 (API SM / ILSAC GF-4). However, if the engine oil is not available in your country, select the proper engine oil using the engine oil viscosity chart.



## VEHICLE IDENTIFICATION NUMBER (VIN)

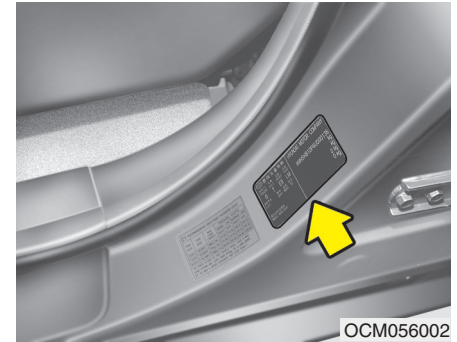


The vehicle identification number (VIN) is the number used in registering your vehicle and in all legal matters pertaining to its ownership, etc. The number is punched on the engine compartment bulkhead.



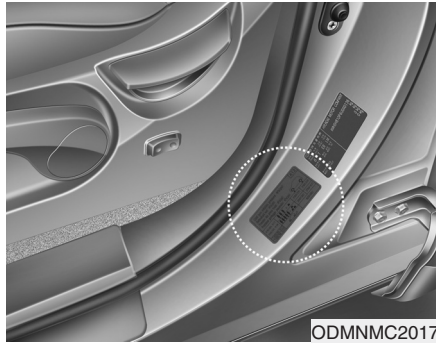
The VIN is also on a plate attached to the top of the dashboard. The number on the plate can easily be seen through the windshield from outside.

## VEHICLE CERTIFICATION LABEL



The vehicle certification label attached on the driver's side center pillar gives the vehicle identification number (VIN).

## TIRE SPECIFICATION AND PRESSURE LABEL

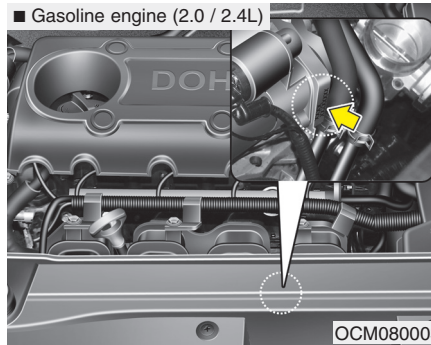


ODMNM2017

The tires supplied on your new vehicle are chosen to provide the best performance for normal driving.

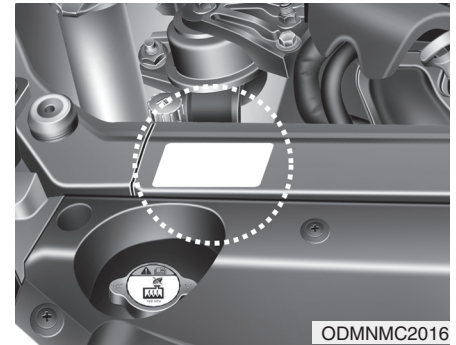
The tire label located on the driver's side center pillar gives the tire pressures recommended for your vehicle.

## ENGINE NUMBER



The engine number is stamped on the engine block as shown in the drawing.

## REFRIGERANT LABEL



The refrigerant label is located at the front of the engine room.