

## Your vehicle at a glance

|                                 |     |
|---------------------------------|-----|
| Exterior Overview .....         | 1-2 |
| Interior Overview .....         | 1-4 |
| Instrument Panel Overview ..... | 1-5 |
| Engine Compartment .....        | 1-6 |

## EXTERIOR OVERVIEW

### ■ Front view

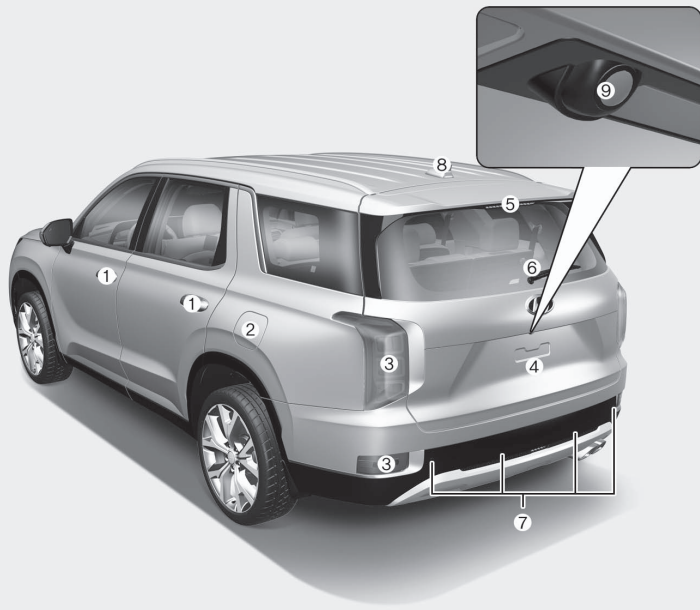


The actual shape may differ from the illustration.

|                           |             |   |       |
|---------------------------|-------------|---|-------|
| 1. Hood .....             | 3-55        | 6. Wiper blade .....  | 7-28  |
| 2. Front lamps .....      | 3-134, 7-62 | 7. Windows .....  | 3-44  |
| 3. Tires and wheels ..... | 7-34, 8-5   | 8. Parking Distance Warning system<br>(Reverse/Forward) ..... | 3-157 |
| 4. Side view mirror ..... | 3-41        |   |       |
| 5. Sunroof .....          | 3-48        |   |       |

OLX2019001N

■ Rear view

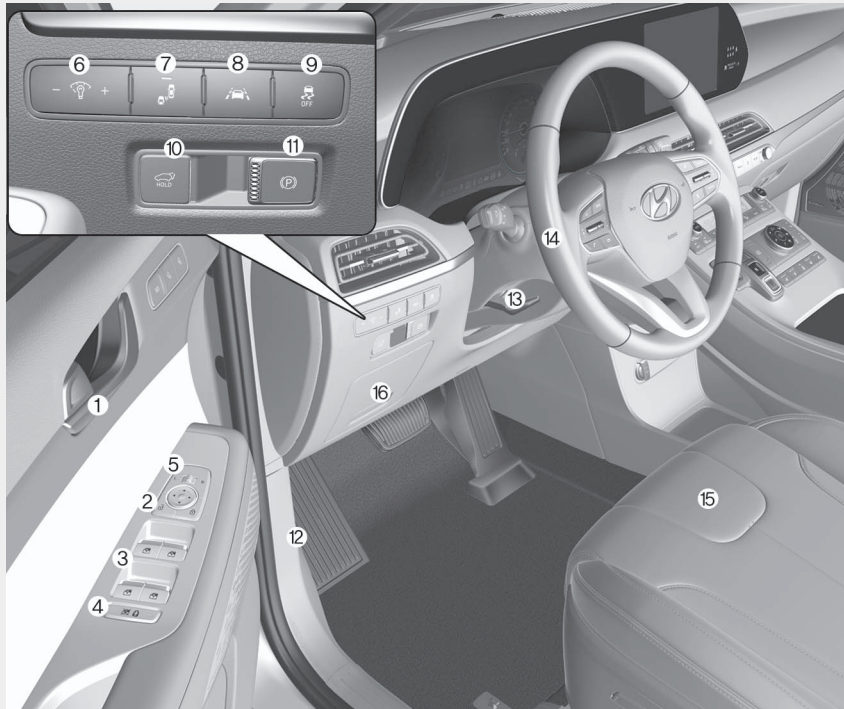


The actual shape may differ from the illustration.

|                                 |      |  |       |
|---------------------------------|------|--|-------|
| 1. Door .....                   | 3-17 | 6. Wiper blade .....                               | 7-29  |
| 2. Fuel filler door .....       | 3-68 | 7. Parking Distance Warning system (Reverse) ..... | 3-154 |
| 3. Rear lamps .....             | 7-65 | 8. Antenna .....                                   | 4-2   |
| 4. Tailgate .....               | 3-56 | 9. Rearview monitor .....                          | 3-150 |
| 5. High mounted stop lamp ..... | 7-67 |  |       |

OLX2018002L

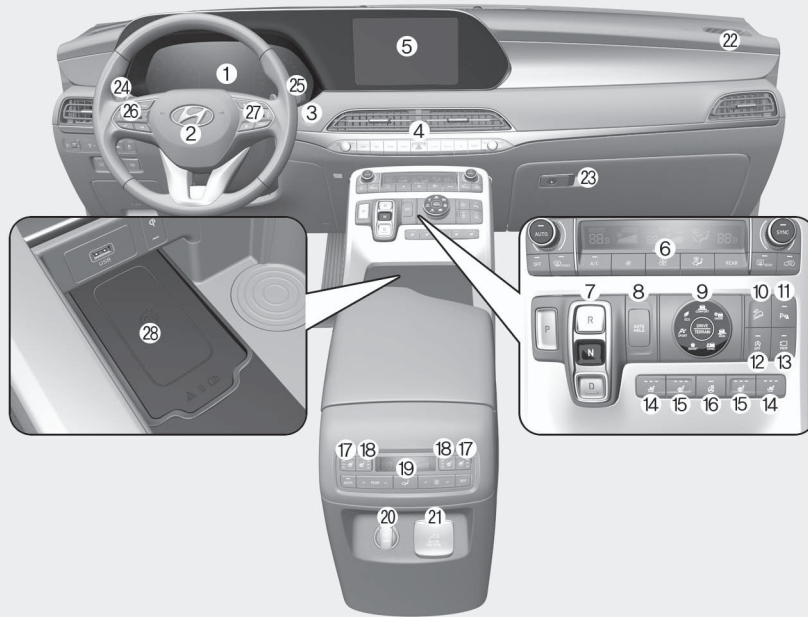
## INTERIOR OVERVIEW



|  |              |
|--|--------------|
| 1. Inside door handle .....  | 3-18         |
| 2. Central door lock/unlock switch .....                                 | 3-19         |
| 3. Power window switches .....   | 3-44         |
| 4. Power window lock button/<br>Electronic child safety lock button..... | 3-47<br>3-22 |
| 5. Side view mirror control switch .....                                 | 3-42         |
| 6. Instrument panel illumination<br>control switch .....                 | 3-73         |
| 7. Blind-spot Collision Warning (BCW)<br>system.....                     | 5-79         |
| 8. Lane Keeping assist (LKA)<br>system.....                              | 5-110        |
| 9. ESC OFF button .....  | 5-35         |
| 10. Power tailgate button .....  | 3-58         |
| 11. EPB(Electronic Parking Brake) .....                                  | 5-24         |
| 12. Hood release lever .....   | 3-55         |
| 13. Steering wheel tilt/telescopic lever .....                           | 3-33         |
| 14. Steering wheel .....   | 3-32         |
| 15. Seat.....  | 2-4          |
| 16. Fuse box .....   | 7-50         |

The actual shape may differ from the illustration.

## INSTRUMENT PANEL OVERVIEW



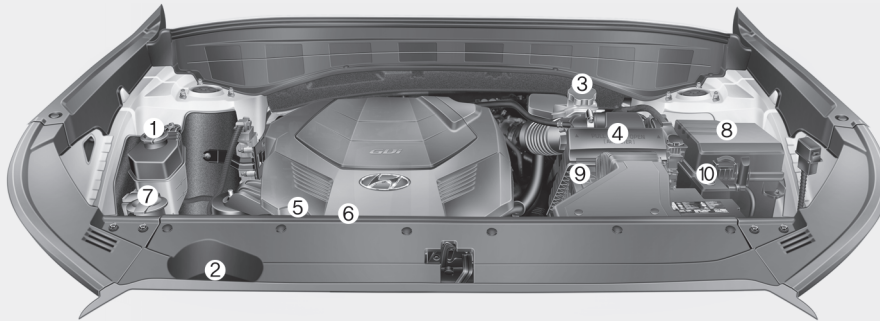
|  |              |
|--|--------------|
| 1. Instrument cluster .....                                    | 3-71         |
| 2. Driver's front air bag .....                                | 2-58         |
| 3. Key ignition switch/ .....                                  | 5-7          |
| Engine Start/Stop button .....                                 | 5-10         |
| 4. Hazard warning flasher switch .....                         | 6-2          |
| 5. Audio system/ .....   | 4-4          |
| Navigation system .....  | 4-4          |
| 6. Manual climate control system/ .....                        | 3-161        |
| Automatic climate control system .....                         | 3-173        |
| 7. Automatic transmission shift button.....                    | 5-15         |
| 8. Auto Hold.....  | 5-29         |
| 9. Drive mode knob .....                                       | 5-56, 5-60   |
| 10. DBC button .....   | 5-39         |
| 11. Parking Distance Warning<br>(Reverse/Forward) button ..... | 3-158        |
| 12. Idle stop and go (ISG) OFF button .....                    | 5-52         |
| 13. Surround view monitor .....                                | 3-151        |
| 14. Air ventilation seat.....                                  | 2-27         |
| 15. Seat warmer .....  | 2-26         |
| 16. Heated steering wheel .....                                | 3-34         |
| 17. Air ventilation seat (2 <sup>nd</sup> row) .....           | 2-27         |
| 18. Seat warmer (2 <sup>nd</sup> row) .....                    | 2-26         |
| 19. Climate control system (rear).....                         | 3-166, 3-181 |
| 20. Power outlet.....  | 3-199        |
| 21. AC inverter.....   | 3-200        |
| 22. Passenger's front air bag.....                             | 2-58         |
| 23. Glove box .....  | 3-194        |
| 24. Light control/Turn signals .....                           | 3-134        |
| 25. Wiper/Washer .....   | 3-146        |
| 26. Steering wheel audio controls .....                        | 4-3          |
| 27. Smart cruise controls .....                                | 5-129        |
| 28. Wireless cellular phone charging system ..                 | 3-203        |

OLX2019004C

The actual shape may differ from the illustration.

## ENGINE COMPARTMENT

### ■ Gasoline 3.8 GDI



1. Engine coolant reservoir .....7-19
2. Radiator cap .....7-20
3. Brake fluid reservoir .....7-22
4. Air cleaner .....7-23
5. Engine oil filler cap .....7-17
6. Engine oil dipstick .....7-17
7. Windshield washer fluid reservoir .....7-23
8. Fuse box .....7-51
9. Battery terminal [+]
10. Battery terminal [-] .....7-30

The actual engine compartment in the vehicle may differ from the illustration.

OLX2078002L