

## Specifications

Dimensions .....	8-2
Engine .....	8-2
Bulb Wattage .....	8-3
Tires and Wheels .....	8-5
Volume and Weight .....	8-6
Air Conditioning System .....	8-6
Recommended Lubricants and Capacities .....	8-7
Recommended SAE Viscosity Number .....	8-9
Vehicle Identification Number (VIN) .....	8-10
Vehicle Certification Label .....	8-10
Tire Specification and Pressure Label .....	8-11
Engine Number .....	8-11
Refrigerant Label .....	8-11

## Specifications

### DIMENSIONS

Items		mm (in)
Overall length		4,770 (187.8)
Overall width		1,890 (74.41)
Overall height		1,680 (66.14) / 1,705 (67.13)*1
Front tread	235/65 R17	1,643 (64.69)
	235/60 R18	1,638 (64.49)
	235/55 R19	1,638 (64.49)
Rear tread	235/65 R17	1,652 (65.04)
	235/60 R18	1,647 (64.84)
	235/55 R19	1,647 (64.84)
Wheelbase		2,765 (108.86)

\*1 : with roof rack

### ENGINE

Items		2.4 GDI	2.0 Turbo-GDI
Displacement	cc (cu. in.)	2,359 (143.95)	1,998 (108.86)
	mm (in.)	88x97 (3.46X3.81)	86x86 (3.38X3.38)
Firing order		1-3-4-2	1-3-4-2
No. of cylinders		In-line 4 cylinder	In-line 4 cylinder

## BULB WATTAGE

Light Bulb			Bulb Type	Wattage	
Front	Type A	Headlamp	Low	HB3	60
			High	HB3	60
		Turn signal lamp		PY28W	28
	Type B	Headlamp	Low/High	LED	LED
			Low/High (sub)	LED	LED
		Turn signal lamp		PY28W	28
	Side marker lamp			LED	LED
	Parking lamp			LED	LED
	Daytime Running Lamp (DRL)			LED	LED
	Fog lamp		Type A	H8	35
Type B			LED	LED	
Rear	Type A	Tail lamp	W5W	5	
		Tail/Stop lamp		P21/5W	5/21
		Side marker lamp		W5W	5
	Type B	Tail lamp	LED	LED	
		Tail/Stop lamp		LED	LED
		Side marker lamp		LED	LED
	Turn signal lamp			PY21W	21
	Back up lamp			W16W	16
	License plate lamp			W5W	5
High mounted stop lamp			LED	LED	

## Specifications

Light Bulb		Bulb Type	Wattage
Interior	Map lamp	Type A	FESTOON 10
		Type B	LED LED
	Room lamp	Type A	FESTOON 10
		Type B	LED LED
	Vanity mirror lamp		FESTOON 5
	Luggage compartment lamp		FESTOON 10

## TIRES AND WHEELS

Item	Tire Size	Wheel Size	Cold tire inflation pressure, kPa (psi)		Wheel Lug Nut Torque kgf-m (lbf-ft, N-m)
			Front	Rear	
Full size tire	235/65 R17	7.0J X 17	240 (35)	240 (35)	11~13 (79~94,107~127)
	235/60 R18	7.5J X 18			
	235/55 R19	7.5J X 19			
Compact spare tire	T165/90R 17	4.0T X 17	420 (60)		

### NOTICE

- It is permissible to add 20 kPa (3 psi) to the standard tire pressure specification if colder temperatures are expected soon. Tires typically lose 7 kPa (1 psi) for every 7°C (12°F) temperature drop. If extreme temperature variations are expected, recheck your tire pressure as necessary to keep them properly inflated.
- An air pressure generally decreases, as you drive up to a high-altitude area above sea level. Thus, if you plan to drive a high-altitude area, check the tire pressures in advance. If necessary, inflate them to a proper level (Air inflation per altitude: +10 kPa/1 km (+2.4 psi/1 mile)).

### CAUTION

When replacing tires, use the same size originally supplied with the vehicle.  
Using tires of a different size can damage the related parts or not work properly.

## Specifications

### VOLUME AND WEIGHT

Items	2.0 Turbo-GDI		2.4 GDI	
	2WD	AWD	2WD	AWD
Gross vehicle weight kg (lbs.)	2,190 (4,828)	2,250 (4,960)	2,145 (4,729)	2,210 (4,872)
Luggage volume (SAE) l (cu. ft.)	Behind 1 <sup>st</sup> row : 2,019 (71.3) Behind 2 <sup>nd</sup> row : 1,016 (35.8)			


### AIR CONDITIONING SYSTEM

Items	Weight of Volume	Classification
Refrigerant g (oz.)	625±25 (22.05±0.88)	R-1234yf
Compressor lubricant cc (oz.)	120±10 (4.23±0.35)	PAG

Contact an authorized HYUNDAI dealer for more details.

## RECOMMENDED LUBRICANTS AND CAPACITIES

To help achieve proper engine and powertrain performance and durability, use only lubricants of the proper quality. The correct lubricants also help promote engine efficiency that results in improved fuel economy.

Lubricant		Volume	Classification
Engine oil <sup>*1</sup> <sup>*2</sup> (drain and refill)  Recommends  	2.4 GDI	4.8 l (5.07 US qt.)	SAE 5W-20 / API Latest (ILSAC Latest)
	2.0 Turbo-GDI	4.8 l (5.07 US qt.)	SAE 5W-30 / API Latest (ILSAC Latest) or ACEA A5/B5
Automatic transmission fluid	2.4 GDI	6.5 l (6.86 US qt.)	MICHANG ATF SP-IV, SK ATF SP-IV, NOCA ATF SP-IV, HYUNDAI genuine ATF SP-IV
	2.0 Turbo-GDI	7.0 l (7.09 US qt.)	

\*1 : Refer to the recommended SAE viscosity numbers on the 9 page.

\*2 : Engine oils labeled Energy Conserving Oil are now available. Along with other additional benefits, they contribute to fuel economy by reducing the amount of fuel necessary to overcome engine friction. Often, these improvements are difficult to measure in everyday driving, but in a year's time, they can offer significant cost and energy savings.

## Specifications

Lubricant		Volume	Classification
Transfer case oil (AWD)		0.47 ~ 0.52 l (0.44 ~ 0.49 US qt.)	HYPOID GEAR OIL API GL-5, SAE75W/85 (SK HCT-5 GEAR OIL 75W/85 or equivalent)
Rear differential oil (AWD)		0.58 l (0.61 US qt.)	
Coolant	2.4 GDI	Standard package	Mixture of antifreeze and water (Phosphate-based Ethylene glycol coolant for aluminum radiator)
		Trailer package	
	2.0 Turbo-GDI		
Brake fluid		0.44 ~ 0.48 l (0.46 ~ 0.5 US qt.)	FMVSS116 DOT-3 or DOT-4
Fuel		71 l (18.75 US gal.)	Refer to "Fuel requirements" in the Foreword chapter.

## Recommended SAE viscosity number

### CAUTION

**Always be sure to clean the area around any filler plug, drain plug, or dipstick before checking or draining any lubricant. This is especially important in dusty or sandy areas and when the vehicle is used on unpaved roads. Cleaning the plug and dipstick areas will prevent dirt and grit from entering the engine and other mechanisms that could be damaged.**

Engine oil viscosity (thickness) has an effect on fuel economy and cold weather operating (engine start and engine oil flowability). Lower viscosity engine oils can provide better fuel economy and cold weather performance, however, higher viscosity engine oils are required for satisfactory lubrication in hot weather.

Using oils of any viscosity other than those recommended could result in engine damage.

When choosing an oil, consider the range of temperature your vehicle will be operated in before the next oil change. Proceed to select the recommended oil viscosity from the chart.

		Temperature Range for SAE Viscosity Numbers									
Temperature		°C	-30	-20	-10	0	10	20	30	40	50
		(°F)	-10	0	20	40	60	80	100	120	
Engine Oil	2.4 GDI * <sup>1</sup>	10W-30									
		5W-20, 0/5W-30									
	2.0 Turbo-GDI * <sup>2</sup>	20W-50									
		15W-40									
		10W-30									
		0/5W-30, 5W-40									

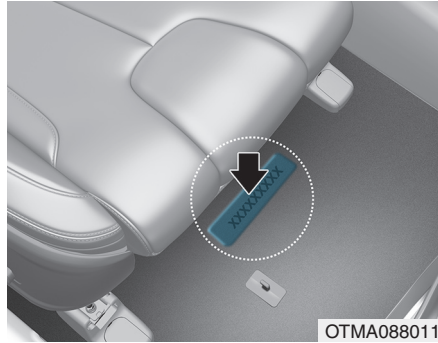
\*<sup>1</sup> : For better fuel economy, it is recommended to use the engine oil of a viscosity grade SAE 5W-20. However, if the engine oil is not available in your country, select the proper engine oil using the engine oil viscosity chart.

\*<sup>2</sup> : For better fuel economy, it is recommended to use the engine oil of a viscosity grade SAE 5W-30. However, if the engine oil is not available in your country, select the proper engine oil using the engine oil viscosity chart.



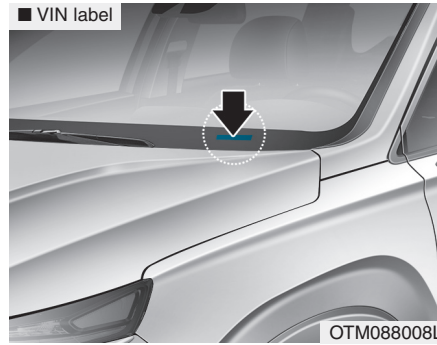
## Specifications

### VEHICLE IDENTIFICATION NUMBER (VIN)



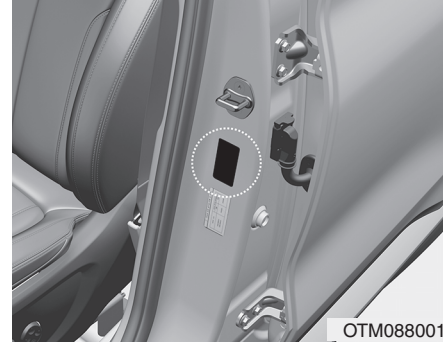
The vehicle identification number (VIN) is the number used in registering your car and in all legal matters pertaining to its ownership, etc.

The number is punched on the floor under the passenger seat. To check the number, open the cover.



The VIN is also on a plate attached to the top of the dashboard. The number on the plate can easily be seen through the windshield from outside.

### VEHICLE CERTIFICATION LABEL



The vehicle certification label attached on the driver's side center pillar gives the Vehicle Identification Number (VIN).

