

2. Vehicle Information

- Exterior Overview (Front View)..... 2-2
- Exterior Overview (Rear View)..... 2-3
- Interior Overview 2-4
- Center Console Overview 2-6
- Steering Wheel Control Overview 2-8
- Engine Compartment Overview 2-9
- Dimensions 2-11
- Engine 2-12
- Bulb Wattage 2-13
- Tires And Wheels 2-15
- Air Conditioning System 2-16
- Vehicle Weight And Luggage Volume 2-16
- Recommended Lubricants And Capacities 2-17
 - Recommended SAE Viscosity Number 2-18
- Vehicle Identification Number (VIN)..... 2-19
- Vehicle Certification Label 2-19
- Tire Specification And Pressure Label..... 2-20
- Engine Number 2-20
- Air Conditioner Compressor Label 2-21
- Open Source Software Notice 2-21
- Reporting Safety Defects 2-22

Exterior Overview (Front View)



The actual shape may differ from the illustration.

(1) Hood	5-56
(2) Front light	5-65, 9-56
(3) Tires and wheels	9-32
(4) Side view mirror	5-45
(5) Sunroof	5-52
(6) Front windshield wiper blades	5-78, 9-25
(7) Windows	5-48
(8) Front radar	7-18

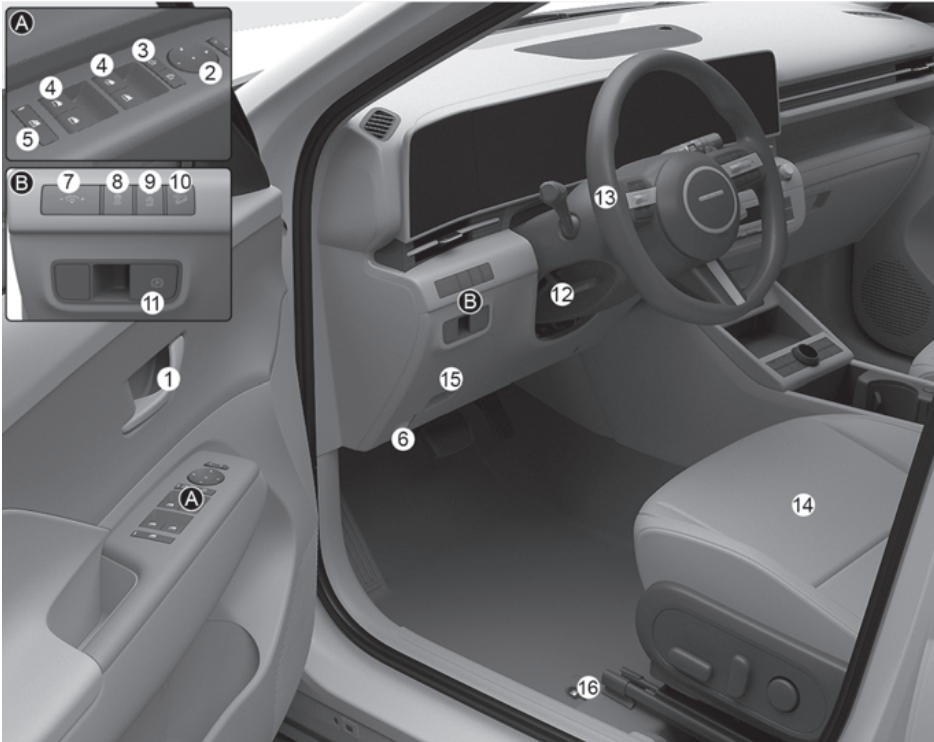
Exterior Overview (Rear View)



The actual shape may differ from the illustration.

(1) Door	5-26
(2) Fuel filler door	5-61
(3) Rear combination light	5-65, 9-58
(4) Tailgate	5-57
(5) High mounted stop light	9-58
(6) Rear window wiper blades	5-81, 9-27
(7) Wide-rear view camera	7-121
(8) Antenna	5-123

Interior Overview



The actual shape may differ from the illustration.

(1) Inside door handle	5-28
(2) Side view mirror control switch	5-45
(3) Central door lock switch	5-28
(4) Power window switches	5-49
(5) Power window lock button	5-51
(6) Hood release lever	5-56
(7) Instrument panel illumination control switch	4-3
(8) ESC (Electronic Stability Control) OFF button	6-43
(9) ISG (Idle Stop and Go) OFF button	6-59
(10) DBC (Downhill Brake Control) button	6-47
(11) EPB (Electronic Parking Brake) switch	6-34
(12) Steering wheel tilt/telescopic switch	5-32
(13) Steering wheel	5-32
(14) Seat	3-4

(15)Fuse box	9-45
(16)Fuel filler door open lever	5-61

Center Console Overview

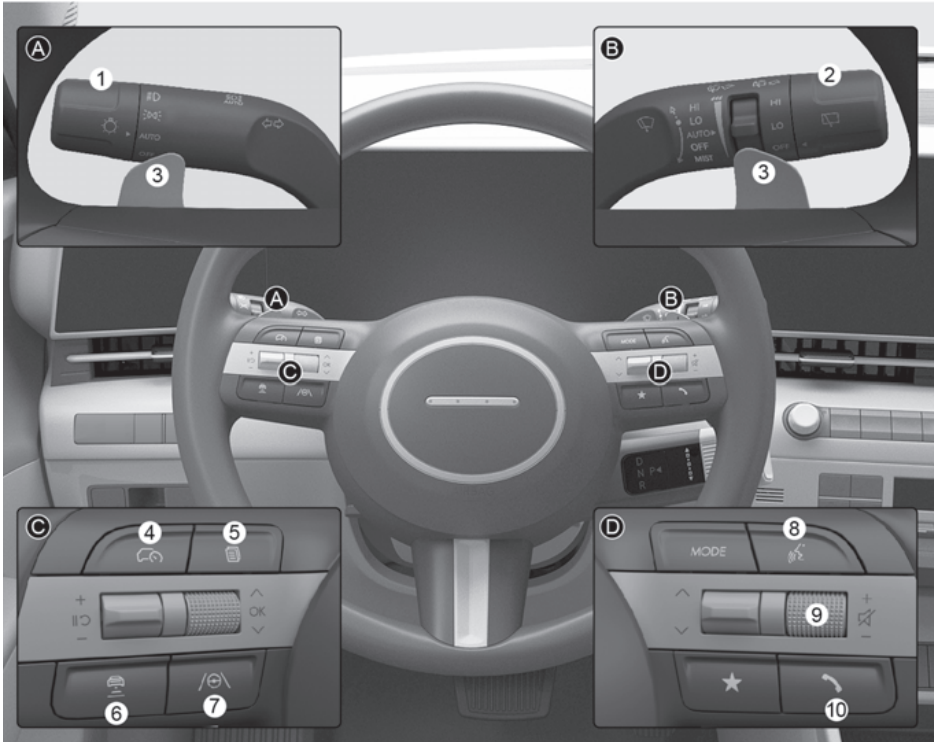


The actual shape may differ from the illustration.

(1) Instrument cluster	4-2
(2) Horn	5-34
(3) Driver's front airbag.....	3-40
(4) Engine Start/Stop button.....	6-5
(5) Rotary gear shift dial	6-10, 6-24
(6) Infotainment system	5-124
(7) Hazard warning flasher switch	8-2
(8) Manual climate control system / Automatic climate control system	5-82 / 5-90
(9) USB Port, USB Charger.....	5-122 / 5-113
(10)USB Charger/USB Port convert button	5-113
(11) USB Charger/Wireless charging system indicator	5-114
(12)Power outlet	5-112
(13)Wireless smartphone charging system	5-114
(14)Seat warmer	3-17

(15)Air ventilation seat	3-18
(16)Heated steering wheel	5-33
(17)Auto Hold button	6-38
(18)Drive mode button	6-62, 6-63
(19)Parking/View button	7-119
(20)Parking Safety button	7-152
(21)AWD lock	6-50
(22)Cup holder	5-110
(23)Center console/Removable partition	5-109
(24)Glove box	5-109
(25)Passenger's front airbag	3-40

Steering Wheel Control Overview

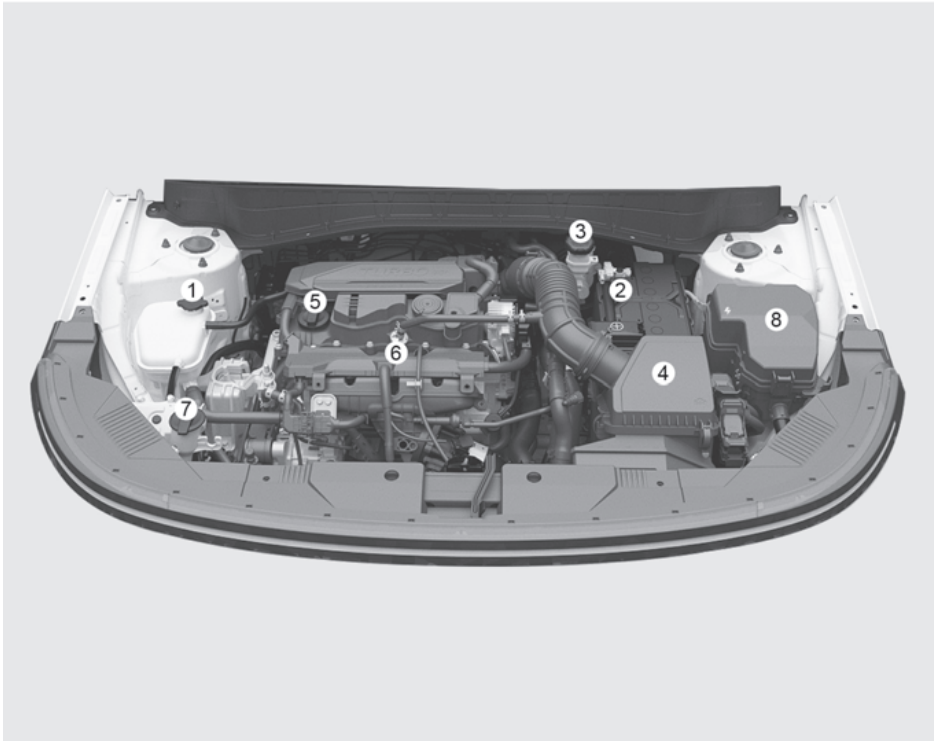


The actual shape may differ from the illustration.

(1) Lighting control lever	5-65
(2) Wiper and washer control lever	5-78
(3) Paddle shifter	6-18
(4) Driving Assist button	7-86
(5) Cluster display controls	4-25
(6) Vehicle Distance button.....	7-86
(7) Lane Driving Assist button	7-38
(8) Voice recognition button	5-124
(9) Audio remote control buttons	5-123
(10)Bluetooth® hands-free phone button	5-125

Engine Compartment Overview

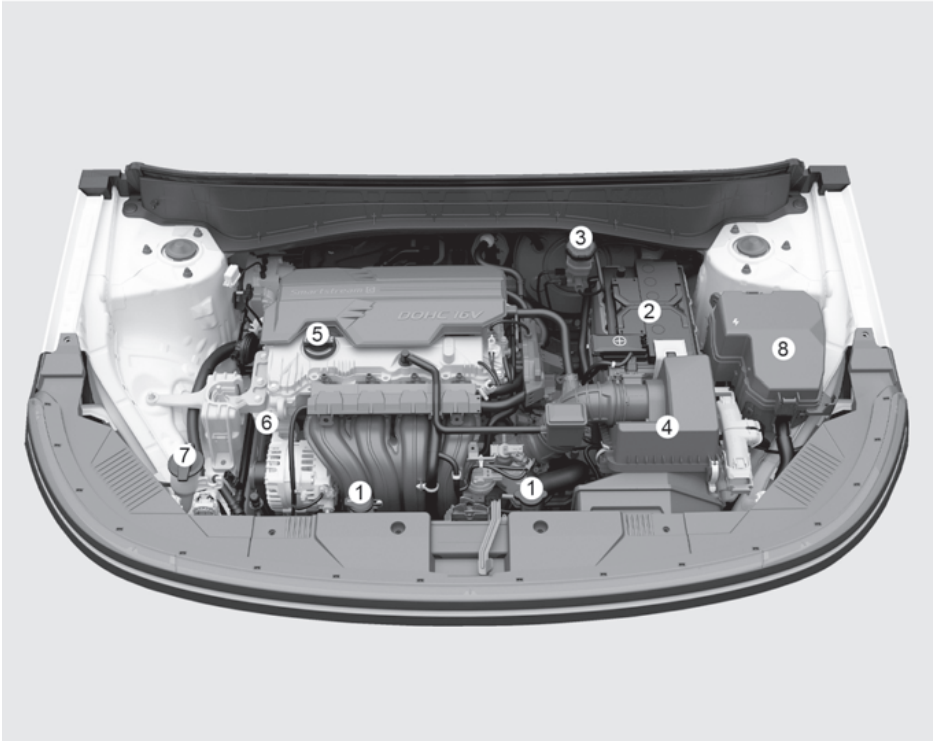
Smartstream G1.6 T-GDi



The actual engine compartment in the vehicle may differ from the illustration.

(1) Engine coolant reservoir	9-18
(2) Battery	9-29
(3) Brake fluid reservoir	9-21
(4) Air cleaner	9-22
(5) Engine oil filler cap	9-16
(6) Engine oil dipstick	9-16
(7) Windshield washer fluid reservoir	9-22
(8) Fuse box	9-46

Smartstream G2.0 ATKINSON



The actual engine compartment in the vehicle may differ from the illustration.

(1) Engine coolant reservoir	9-18
(2) Battery	9-29
(3) Brake fluid reservoir	9-21
(4) Air cleaner	9-22
(5) Engine oil filler cap	9-16
(6) Engine oil dipstick	9-16
(7) Windshield washer fluid reservoir	9-22
(8) Fuse box	9-46

Dimensions

Items		mm (in.)	
Overall length		4,350 (171.25) N Line: 4,385 (172.63)	
Overall width		1,825 (71.85)	
Overall height	215/60 R17	1,580 (62.20) / 1,585 (62.40)*1	
	215/55 R18	1,580 (62.20) / 1,585 (62.40)*1	
	235/45 R19	1,585 (62.40) / 1,590 (62.59)*1 N Line: 1,585 (62.40) / 1,590 (62.59)*1	
Front tread	215/60 R17	1,591 (62.63)	
	215/55 R18	1,591 (62.63)	
	235/45 R19	1,589 (62.56)	
Rear tread	215/60 R17	2WD	1,600 (62.99)
		AWD	1,606 (63.23)
	215/55 R18	2WD	1,600 (62.99)
		AWD	1,606 (63.23)
	235/45 R19	AWD	1,604 (63.15)
Wheelbase		2,660 (104.72)	

*1 with roof side rails

Engine

Engine	Displacement cc (cu. in)	Bore x Stroke mm (in.)	Firing order	No. of cylinders
Smartstream G1.6 T-GDi	1,598 (97.51)	75.6 x 89 (2.97 x 3.50)	1-3-4-2	4
Smartstream G2.0 ATKINSON	1,999 (121.98)	81 x 97 (3.18 x 3.81)	1-3-4-2	4

Bulb Wattage

Light bulb		Bulb type	Wattage
Front	Headlight	Low	LED
		High	LED
	Daytime running light/Parking light		LED
	Turn signal light	Type A	PY21W
		Type B	LED
	Side repeater light		LED
	Side marker light		LED
Rear	Tail/Stop light		LED
	Turn signal light	Type A	PY21W
		Type B	LED
	Side marker light		LED
	Reverse light		W16W
	High mounted stop light		LED
	Fog light		P21W
License plate light		W5W	

Light bulb		Bulb type	Wattage	
Interior	Map lamp	Type A	LED	LED
		Type B	W10W	10W
	Room lamp	Type A	FESTOON	8W
		Type B	LED	LED
	Cargo area lamp	Type A	FESTOON	10W
		Type B	LED	LED
	Vanity mirror lamp	Type A	FESTOON	5W
		Type B	LED	LED
	Mood lamp (Front seat door lamp, Passenger seat open tray lamp)		LED	LED
	Glove box lamp		LED	LED

Tires And Wheels

Items	Tire size	Wheel size	Inflation pressure psi (kPa)				Wheel nut torque kgf·m (lbf·ft, N·m)
			Normal load		Maximum load		
			Front	Rear	Front	Rear	
Full size tire	215/60R17	7.0J X 17	36 (250)				11-13 (79-94, 107-127)
	215/55R18	7.0J X 18	33 (230)				
	235/45R19	7.5J X 19	33 (230)				
Compact spare tire (if equipped)	T145/90D16	4.0T X 16	60 (420)				

NOTICE

- It is permissible to add 3 psi (20 kPa) to the standard tire pressure specification if colder temperatures are expected soon.
Tires typically lose 1 psi (7 kPa) for every 7 °C (12 °F) temperature drop. If extreme temperature variations are expected, recheck your tire pressure as necessary to keep them properly inflated.
- Tire inflation pressures may differ depending on changes in elevation (about 2.4 psi (10 kPa) for every mile (or kilometer) elevation change). If driving in areas of higher or lower elevation, be sure to check and adjust for proper tire inflation.
- Do not exceed the maximum inflation pressure, as found on the sidewall of the tire(s).

CAUTION

When replacing tires, ALWAYS use the same size, type, brand, construction, and tread pattern supplied with the vehicle. If not, it can damage the related parts or make it work irregularly.

Air Conditioning System

Item	Weight of volume	Classification
Refrigerant	450±25 g (15.2±0.84 oz.)	R-1234yf
Compressor lubricant	120±10 g (4.07±0.33 oz.)	PAG

Contact an authorized HYUNDAI dealer for more details.

Vehicle Weight And Luggage Volume


Items	Smartstream G 1.6 T-GDi		Smartstream G 2.0 Atkinson	
	2WD	AWD	2WD	AWD
	AT ^{*1}		IVT ^{*2}	
Gross vehicle weight kg (lbs.)	1,940 (4,277)	2,020 (4,453)	1,855 (4,090)	1,940 (4,277)
Luggage volume (SAE) ℓ (cu ft.)	Behind 1st row: 723 (25.53) Behind 2nd row: 1803 (63.67)			

*1 AT: Automatic Transmission

*2 IVT: Intelligent Variable Transmission

Recommended Lubricants And Capacities

To help achieve proper engine and powertrain performance and durability, use only lubricants of the proper quality. The correct lubricants also help promote engine efficiency that results in improved fuel economy.

Lubricant		Volume	Classification
Engine oil ^{*1} *2 (drain and refill) Recommends 	Smartstream G1.6 T-GDi	4.8 ℓ (5.1 US qt.)	SAE 0W-20, API SN PLUS/SP or ILSAC GF-6 ^{*5}
	Smartstream G2.0 ATKINSON	4.3 ℓ (4.5 US qt.)	0W-20, API SN PLUS/SP or ILSAC GF-6
Automatic Transmission fluid	Smartstream G1.6 T-GDi	6.5 ℓ (6.8 US qt.)	MICHANG ATF SP-IV, SK ATF SP-IV NOCA ATF SP-IV or HYUNDAI Genuine ATF SP-IV
Intelligent Variable Transmission fluid	Smartstream G2.0 ATKINSON	6.7 ℓ (6.9 US qt.) (2WD)/ 6.9 ℓ (7.1 US qt.) (AWD)	MICHANG SP-CVT1 or HYUNDAI Genuine SP-CVT1 ^{*3}
Coolant	Smartstream G1.6 T-GDi	8.5 ℓ (9.0 US qt.)	Mixture of antifreeze and distilled water (Ethylene glycol base coolant for aluminum radiator)
	Smartstream G2.0 ATKINSON	6.9 ℓ (7.3 US qt.)	
Rear differential oil (AWD) ^{*3}		0.4-0.5 ℓ (0.6-0.7 US qt.)	HYPOID GEAR OIL API GL-5, SAE 75W/85 (Recommended SK HCT-5 GEAR OIL 75W85 or equivalent)
Transfer case oil (AWD) ^{*3}		0.62-0.68 ℓ (0.8-0.9 US qt.)	
Brake fluid ^{*4}		As needed	DOT-4
Fuel	Smartstream G1.6 T-GDi	50 ℓ (13.2 US gal.)	Refer to the "Fuel Requirements" section in chapter 1.
	Smartstream G2.0 ATKINSON	47 ℓ (12.4 US gal.)	

*1 Refer to the "Recommended SAE Viscosity Number" section.

*2 Engine oils labeled Energy Conserving Oil are now available. Along with other additional benefits, they contribute to fuel economy by reducing the amount of fuel necessary to overcome engine friction. Often, these improvements are difficult to measure in everyday driving, but in a year's time, they can offer significant cost and energy savings.

*3 If the transfer case/rear differential is submerged, visit an authorized HYUNDAI genuine products to replace the differential oil.

*4 To maintain the best braking performance and ABS/ESC performance, use genuine brake fluid that conform to specifications.

*5 Requires <API SN PLUS (or above) Full synthetic> grade engine oil. If a lower grade engine oil (mineral oil including semi-synthetic) is used, then the engine oil and engine oil filter must be replaced as indicated severe maintenance condition.

Recommended SAE Viscosity Number

NOTICE

Always be sure to clean the area around any filler plug, drain plug, or dipstick before checking or draining any lubricant. This is especially important in dusty or sandy areas and when the vehicle is used on unpaved roads. Cleaning the plug and dipstick areas will prevent dirt and grit from entering the engine and other mechanisms that could be damaged.

Engine oil viscosity (thickness) has an effect on fuel economy and cold weather operating (engine start and engine oil flow ability). Lower viscosity engine oils can provide better fuel economy and cold weather performance, however, higher viscosity engine oils are required for satisfactory lubrication in hot weather. Using oils of any viscosity other than those recommended could result in engine damage.

Never add any additives to the engine oil. Engine oil additives can change the properties of engine oil and may cause serious engine failure.

When choosing an oil, consider the range of temperature your vehicle will be operated in before the next oil change. Proceed to select the recommended oil viscosity from the chart.

Temperature Range for SAE Viscosity Numbers										
Temperature	°C	-30	-20	-10	0	10	20	30	40	50
	°F	-10	0	20	40	60	80	100	120	
Smartstream G1.6 T-GDi		0W20								
Smartstream G2.0 ATKINSON		0W20								

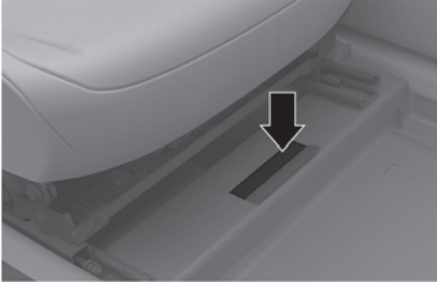


An engine oil displaying this American Petroleum Institute (API) Certification Mark conforms to the International Lubricant Specification Advisory Committee (ILSAC). It is recommended to only use engine oils that uphold this API Certification Mark.

Vehicle Identification Number (VIN)

+ if equipped

Frame number (if equipped)



The vehicle identification number (VIN) is the number used in registering your vehicle and in all legal matters pertaining to its ownership, etc.

The number is punched on the floor under the right front seat. To check the number, open the cover.

VIN label (if equipped)



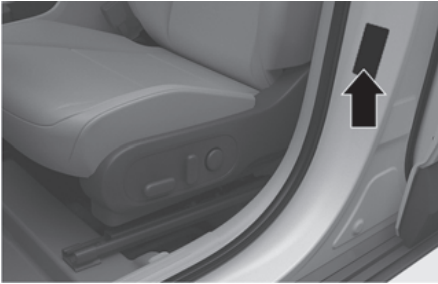
The VIN is also on a plate attached to the top of the left side dashboard. The number on the plate can easily be seen through the windshield from outside.

Vehicle Certification Label



The vehicle certification label attached on the driver's (or front passenger's) side center pillar gives the Vehicle Identification Number (VIN).

Tire Specification And Pressure Label

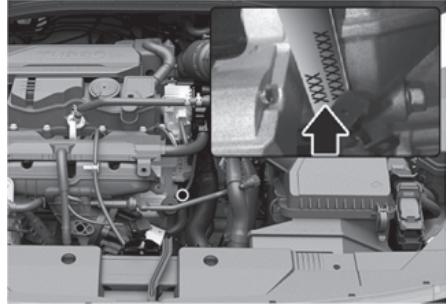


The tires supplied on your new vehicle are chosen to provide the best performance for normal driving.

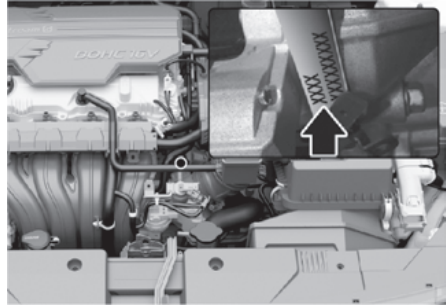
The tire label located on the driver's side center pillar gives the tire pressures recommended for your vehicle.

Engine Number

Smartstream G1.6 T-GDi

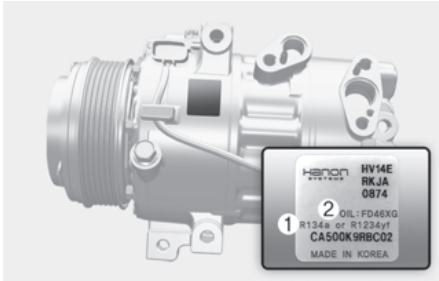


Smartstream G2.0 ATKINSON



The engine number is stamped on the engine block as shown in the drawing.

Air Conditioner Compressor Label



A compressor label informs you the type of compressor your vehicle is equipped with such as model, supplier part number, production number, refrigerant (1) and refrigerant oil (2).

Open Source Software Notice

This vehicle contains software with open source licenses. Open source software information including the source code, copyright notices and referred license terms may be obtained on the website <https://www.hyundai.com/worldwide/opensource>

HYUNDAI AUTO CANADA will provide the open source code to you in storage medium such as CD-ROM for minimum charge covering the cost of performing source distribution upon email request to opensource@hyundai.com within a period of 3 years from the date of product purchase.

Reporting Safety Defects

If you believe that your vehicle has a defect which could cause a crash or could cause injury or death, you should immediately inform Transport Canada (TC) in addition to notifying HYUNDAI AUTO CANADA CORP.

Mailing Address:

Transport Canada - ASFAD

330 Sparks Street

Ottawa, ON

K1A 0N5

Telephone: 819-994-3328 (Ottawa-Gatineau area or internationally)

Toll free: 1-800-333-0510 (in Canada)

Online:

<http://www.tc.gc.ca/recalls>

If TC receives similar complaints, it may open an investigation, and if it finds that a safety defect exists in a group of vehicles, it may order a recall and remedy campaign. However, TC cannot become involved in individual problems between you, your dealer, or HYUNDAI AUTO CANADA CORP.